

Pankaj



MAKE IN INDIA



Single Turn Wire Wound Potentiometer Model: R.W-3-M, Metal Shaft



The most sought after product in Domestic and International market from PANKAJ, model R.W-3 marks it's presence since over five decades. Offers best value for money in manual setting application.

Features

- ◆ Brass Nickel Plated Bush & Spindle
- ◆ Tin Plated Terminals
- ◆ High Grade Engineering Moulded Plastic Housing

Optional Features

- ◆ Anti Rotating Mounting Plate
- ◆ Various Shaft Lengths and Designs
- ◆ Shaft Locking Nut

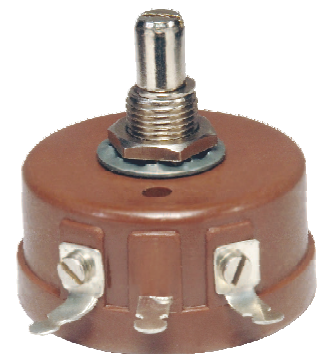
Electrical Specifications

Resistance Range	25 Ω to 25 K Ω
Resistance Tolerance	$\pm 10\%$ Standard, $\pm 5\%$ Special
Power Rating	3 Watt @ 40 $^{\circ}$ C
End Resistance	0.2 Ω or 0.02% which ever is greater
Elec. Angle of Rotation	265 $^{\circ}$ \pm 15 $^{\circ}$
Maximum Working Voltage	250 VDC
Insulation Resistance	200 M Ω @ 500 VDC
Voltage Proof	750 VAC for 1 Min. At Sea level
TCR of Resistance Wire	150 ppm/ $^{\circ}$ C
Rotational Life Expectancy	20,000 Cycles at 15 RPM
Temperature Range	0 - 70 $^{\circ}$ C.



Mechanical Specifications

Housing Diameter	40 mm
Housing Height	20 mm
Shaft Diameter	6.3mm
Shaft Length	19 mm or 25 mm Standard
Bush Mounting	3/8" x 32 TPI, 10 mm long
Mech. Angle of Rotation	285 $^{\circ}$ \pm 15 $^{\circ}$



Applications

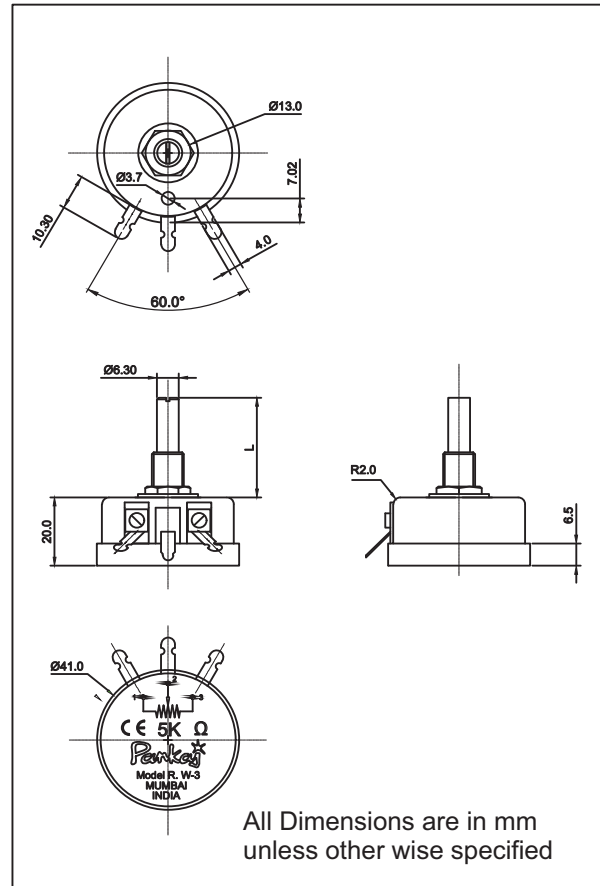
- ◆ Temperature Controllers
- ◆ Power Supplies, AC/DC Motor Drives
- ◆ Process Control Equipments
- ◆ Test and Measuring Instruments
- ◆ Control Panels
- ◆ Offset Settings & many more.

**Single Turn Wire Wound Potentiometer
Model: R.W-3-M, Metal Shaft**

Product Images



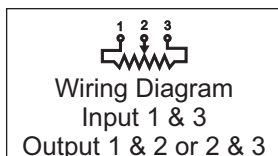
Dimensional Diagram



Ordering Information

Example: R.W-3, 10K, 25mm

Model No.	Resistance Value in ohms	Shaft Length in mm	Other Options
R.W-3-M	25, 50, 100, 150, 200, 250, 500, 1K, 2K, 2K5, 3K, 5K, 10K, 20K, 25K	Standard: 19 mm or 25 mm	P - Locking Plate L - Shaft Locking Nut



Supply Voltage as per rated Wattage
Maximum 24 VDC

Manufacturers & Exporters

PANKAJ POTENTIOMETERS PVT. LTD.

MUMBAI-INDIA

URL: www.pankaj.com Email : pankaj.potentiometers@gmail.com

Note: We reserve the right to make any kind of design, specifications or functional modification at any moment without prior notice