

Pankaj



MAKE IN INDIA



Single Turn Wire Wound Potentiometer Model: R.W-5

PANKAJ, the most popular brand for panel mounted Wire Wound Potentiometers, manufactures model R.W.5 product best suited for Railways & battery charges applications etc. This product is also available with Screw / nut type stud terminals. Incidentally this is the only product of its kind in market.

Features

- ◆ Brass Nickel Plated Bush & Spindle
- ◆ Tin Plated Terminals
- ◆ Thermoset Housing

Optional Features

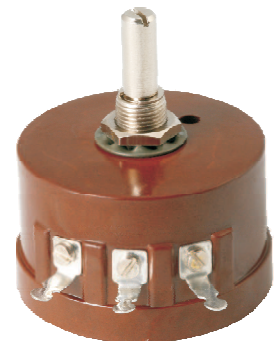
- ◆ Anti Rotating Mounting Plate
- ◆ Stud Type Terminal
- ◆ Shaft Locking Nut

Electrical Specifications

Resistance Range	50 Ω to 50 K Ω
Resistance Tolerance	$\pm 10\%$ Standard, $\pm 5\%$ Special
Power Rating	5 Watt @ 40°C
End Resistance	0.2 Ω or 0.02% which ever is greater
Elec. Angle of Rotation	285° $\pm 15^\circ$
Maximum Working Voltage	500 VDC
Insulation Resistance	500 M Ω @ 500 VDC
Voltage Proof	1500 VAC for 1 Min. At Sea level
TCR of Resistance Wire	150 ppm/°C
Rotational Life Expectancy	20,000 Cycles at 15 RPM
Temperature Range	0 - 70°C.

Mechanical Specifications

Housing Diameter	48 mm
Housing Height	28 mm
Shaft Diameter	6.3 mm
Shaft Length	25 mm
Bush Mounting	3/8" x 32 TPI, 10 mm Long
Mechanical Angle of Rot.	290° $\pm 15^\circ$



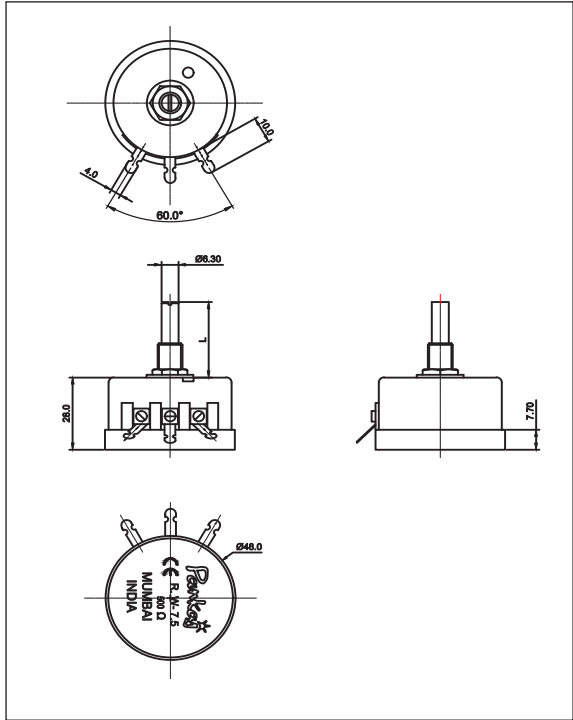
Applications

- ◆ Power Supplies
- ◆ Battery Chargers
- ◆ Process Control Equipments
- ◆ Test and Measuring Instruments
- ◆ Control Panels
- ◆ Offset Settings & many more.

**Single Turn Wire Wound Potentiometer
Model: R.W-5**

Product Image

Dimensional Diagram

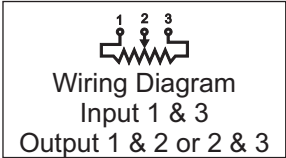


All Dimensions are in mm unless other wise specified

Ordering Information

Example: R.W-5, 10K, 25 mm

Model No.	Resistance Value in ohms	Shaft Length in mm	Other Options
R. W-5	50, 100, 250, 500, 1K, 2K, 2K5, 3K, 5K, 10K, 20K, 25K, 50K	25 mm	P - Locking Plate L - Shaft Locking Nut



Supply Voltage as per rated Wattage
Maximum 24 VDC

Manufacturers & Exporters

PANKAJ POTENTIOMETERS PVT. LTD.

MUMBAI-INDIA

URL: www.pankaj.com Email : pankaj.potentiometers@gmail.com

Note: We reserve the right to make any kind of design, specifications or functional modification at any moment without prior notice