



Pankaj[★]



MAKE IN INDIA



Single Turn Wire Wound Potentiometer Model: R.W-7.5



PANKAJ, the popular brand for panel mounted Wire Wound Potentiometers, manufactures model R. W. 7.5 product best suited for Railways & battery charges applications etc. This product is also available with Screw / nut type stud terminals. Incidentally this is the only product of its kind in market.

Features

- ◆ Brass Nickel Plated Bush & Spindle
- ◆ Tin Plated Terminals
- ◆ High Engg. Plastic Molded Housing

Optional Features

- ◆ Stud type terminals
- ◆ Shaft Locking Nuts

Electrical Specifications

Resistance Range	50 Ω to 50 KΩ
Resistance Tolerance	±10% Standard, ±5% Special
Power Rating	7.5 Watt @ 40°C
End Resistance	0.2 Ω or 0.02 % which ever is greater
Elec. Angle of Rotation	265° ± 15°
Maximum Working Voltage	500 VDC
Insulation Resistance	500 MΩ @ 500 VDC
Voltage Proof	1500 VAC for 1 Min. At Sea level
TCR of Resistance Wire	150 ppm/°C
Rotational Life Expectancy	20,000 Cycles at 15 RPM
Temperature Range	0 - 70°C.

Mechanical Specifications

Housing Diameter	48 mm
Housing Height	38 mm
Shaft Diameter	6.3 mm
Shaft Length	41 mm or 25 mm
Bush Mounting	3/8" x 32 TPI, 10 mm Long
Mech. Angle of Rotation	285° ± 15°

Applications

- ◆ Railway Battery Chargers
- ◆ Power Supplies
- ◆ AC/DC Motor Drives
- ◆ Process Control Equipments
- ◆ Test and Measuring Instruments
- ◆ Control Panels
- ◆ Offset Settings & many more

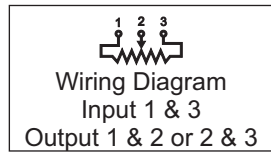
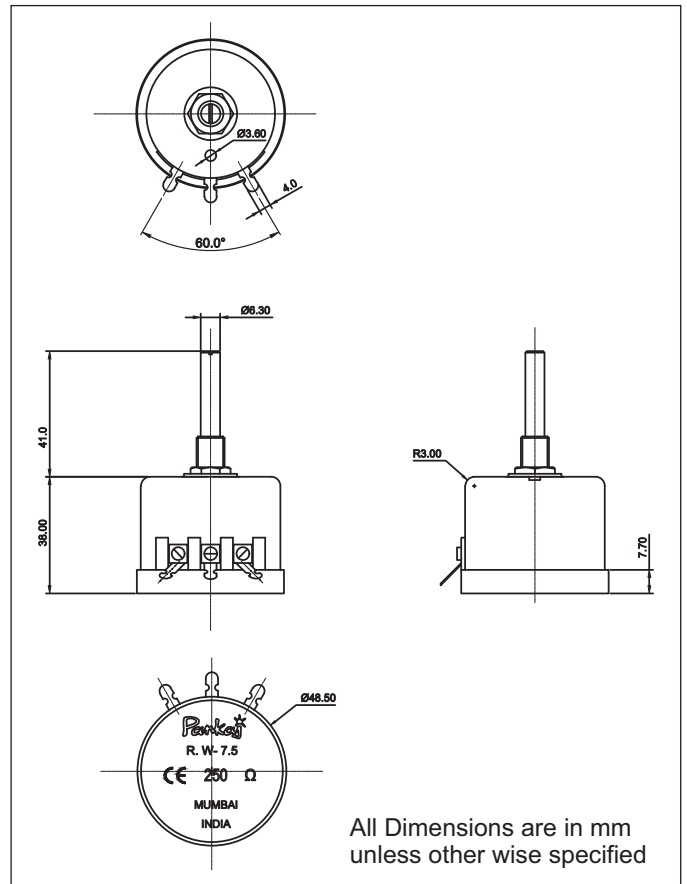


**Single Turn Wire Wound Potentiometer
Model: R.W-7.5**

Product Image



Dimensional Diagram



Supply Voltage as per rated Wattage
Maximum 24 VDC

Ordering Information

Example: R.W-7.5, 20K, 41mm

Model No.	Resistance Value in ohms	Shaft Length in mm	Other Options
R. W-7.5	50, 100, 250, 500, 1K, 2K, 2K5, 3K, 5K, 10K, 20K, 25K, 50K	41 mm or 25 mm	L - Shaft Locking Nut T - Stud Type Terminals

Manufacturers & Exporters

PANKAJ POTENTIOMETERS PVT. LTD.

MUMBAI-INDIA

URL: www.pankaj.com Email : pankaj.potentiometers@gmail.com

Note: We reserve the right to make any kind of design, specifications or functional modification at any moment without prior notice