



# Pankaj



MAKE IN INDIA



## Single Turn Wire Wound Potentiometer Model: R.W-7.5, Stud Type Terminals & Shaft Locking Nuts



PANKAJ, the popular brand for panel mounted Wire Wound Potentiometers, manufactures model R. W. 7.5 product best suited for Railways & battery charges applications etc. This product is also available with Screw / nut type stud terminals. Incidentally this is the only product of its kind in market.

### Features

- ◆ Brass Nickel Plated Bush & Spindle
- ◆ Tin Plated Terminals
- ◆ High Engg. Plastic Molded Housing

### Optional Features

- ◆ Stud type terminals
- ◆ Shaft Locking Nuts

### Electrical Specifications

Resistance Range	50 $\Omega$ to 50 K $\Omega$
Resistance Tolerance	$\pm 10\%$ Standard, $\pm 5\%$ Special
Power Rating	7.5 Watt @ 40 $^{\circ}$ C
End Resistance	0.2 $\Omega$ or 0.02 % which ever is greater
Elec. Angle of Rotation	265 $^{\circ}$ $\pm$ 15 $^{\circ}$
Maximum Working Voltage	500 VDC
Insulation Resistance	500 M $\Omega$ @ 500 VDC
Voltage Proof	1500 VAC for 1 Min. At Sea level
TCR of Resistance Wire	150 ppm/ $^{\circ}$ C
Rotational Life Expectancy	20,000 Cycles at 15 RPM
Temperature Range	0 - 70 $^{\circ}$ C.



### Mechanical Specifications

Housing Diameter	48 mm
Housing Height	38 mm
Shaft Diameter	6.3 mm
Shaft Length	25 mm (Optional 41 mm)
Bush Mounting	3/8" x 32 TPI, 10 mm Long
Mech. Angle of Rotation	285 $^{\circ}$ $\pm$ 15 $^{\circ}$

### Applications

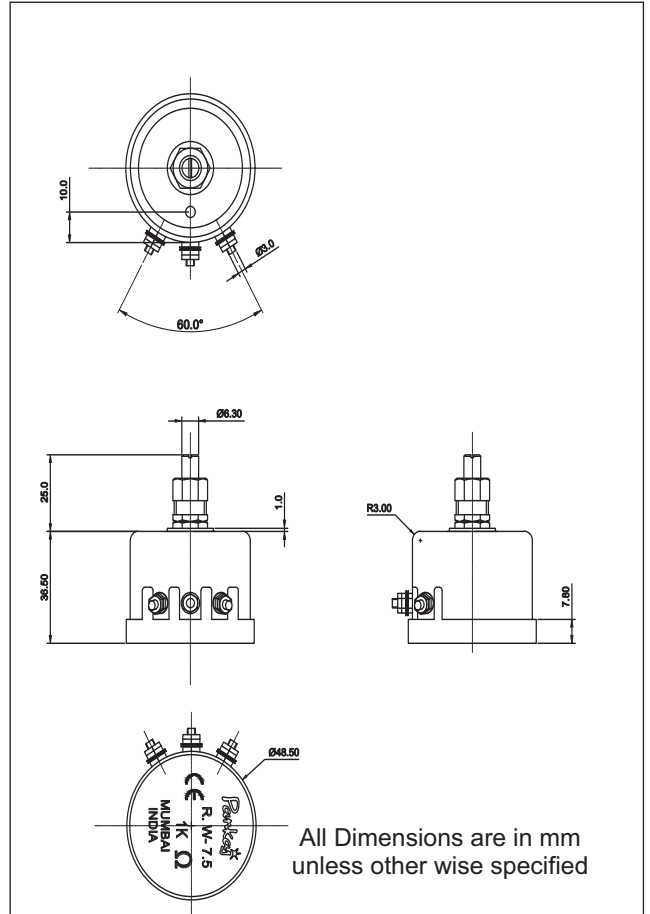
- ◆ Railway Battery Chargers
- ◆ Power Supplies
- ◆ AC/DC Motor Drives
- ◆ Process Control Equipments
- ◆ Test and Measuring Instruments
- ◆ Control Panels
- ◆ Offset Settings & many more

**Single Turn Wire Wound Potentiometer  
Model: R.W-7.5, Stud Type Terminals  
& Shaft Locking Nuts**

**Product Image**



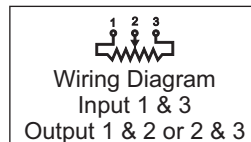
**Dimensional Diagram**



**Ordering Information**

**Example: R.W-7.5, 20K, 41mm Stud**

Model No.	Resistance Value in ohms	Shaft Length in mm	Other Options
R.W-7.5 Stud	50, 100, 250, 500, 1K, 2K, 2K5, 3K, 5K, 10K, 20K, 25K, 50K	41 mm or 25 mm	L - Shaft Locking Nut T - Stud Type Terminals



Supply Voltage as per rated Wattage  
Maximum 24 VDC

**Manufacturers & Exporters**

**PANKAJ POTENTIOMETERS PVT. LTD.**  
**MUMBAI-INDIA**

URL: [www.pankaj.com](http://www.pankaj.com) Email : [pankaj.potentiometers@gmail.com](mailto:pankaj.potentiometers@gmail.com)

**Note: We reserve the right to make any kind of design, specifications or functional modification at any moment without prior notice**