



# Pankaj<sup>\*</sup>



MAKE IN INDIA



## Single Turn Wire Wound Potentiometer Model: R.W-15



Model R.W-15 is the highest power ratted panel mounted Potentiometer from PANKAJ has thermosetting housing, good linearity coupled with longer rotational life expectancy in its class. Incidentally this is the only product of its kind in market.

### Features

- ◆ Brass Nickel Plated Bush & Spindle
- ◆ Tin Plated Terminals
- ◆ Thermoset Housing



### Electrical Specifications

Resistance Range	50 $\Omega$ to 50 K $\Omega$
Resistance Tolerance	$\pm 10\%$ Standard, $\pm 5\%$ Special
Power Rating	15 Watt @ 40 $^{\circ}$ C
End Resistance	0.2 $\Omega$ or 0.02 % which ever is greater
Elec. Angle of Rotation	310 $^{\circ}$ $\pm$ 15 $^{\circ}$
Maximum Working Voltage	500 VDC
Insulation Resistance	500 M $\Omega$ @ 500 VDC
Voltage Proof	1500 VAC for 1 Min. At Sea level
TCR of Resistance Wire	150 ppm/ $^{\circ}$ C
Rotational Life Expectancy	20,000 Cycles at 15 RPM
Temperature Range	0 - 70 $^{\circ}$ C.

### Mechanical Specifications

Housing Diameter	90 mm
Housing Height	38 mm
Shaft Diameter	6.3 mm
Shaft Length	40 mm
Bush Mounting	3/8" x 32 TPI, 10mm Long & Three M3 screws @ 36 PCD
Mech. Angle of Rotation	330 $^{\circ}$ $\pm$ 15 $^{\circ}$

### Applications

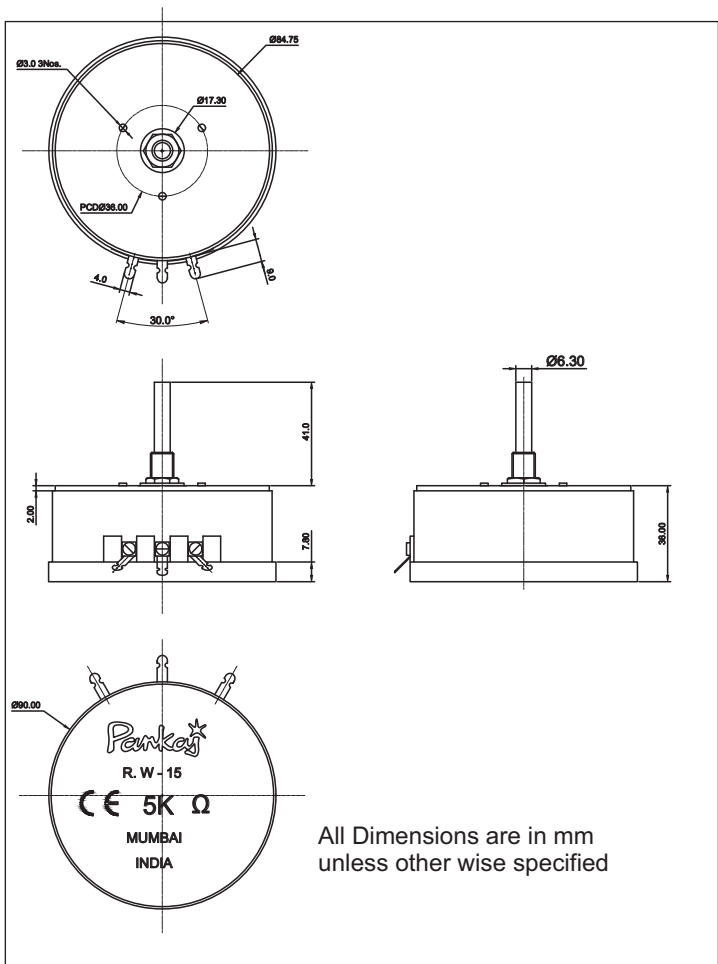
- ◆ Railway Battery Charger
- ◆ Power Supplies
- ◆ AC/DC Motor Drives
- ◆ Process Control Equipments
- ◆ Test & Measuring Instruments
- ◆ Control Panels
- ◆ Offset Settings & many more.

**Single Turn Wire Wound Potentiometer  
Model: R.W-15**

**Product Image**



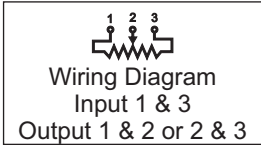
**Dimensional Diagram**



**Ordering Information**

**Example: R.W-15, 10K, 40 mm**

Model No.	Resistance Value in ohms	Shaft Length in mm
R. W-15	50, 100, 250, 500, 1K, 2K, 2K5, 3K, 5K, 10K, 20K, 25K, 50K, 100K	40 mm



Supply Voltage as per rated Wattage  
Maximum 24 VDC

**Manufacturers & Exporters**

**PANKAJ POTENTIOMETERS PVT. LTD.**

**MUMBAI-INDIA**

URL: [www.pankaj.com](http://www.pankaj.com) Email : [pankaj.potentiometers@gmail.com](mailto:pankaj.potentiometers@gmail.com)

*Note: We reserve the right to make any kind of design, specifications or functional modification at any moment without prior notice*