

Pankaj[★]



MAKE IN INDIA



Rotary Conductive Plastic Servo Potentiometer Model: RCP-22 -S

Rotary Conductive Plastic Servo Potentiometer from PANKAJ offers long rotational life, stable output in wide temperature range, high moisture environment, with infinite resolution for manual or mechanized application in variety of fields.

Features

- ◆ Infinite Resolution, Low CRV
 - ◆ Gold Plated Wiper
 - ◆ Servo Mount
 - * Aluminium Housing
 - ◆ Brass Nickle Plated Shaft
 - ◆ Gold Plated Studs
 - ◆ Long Rotational Life
 - ◆ Sturdy Construction
- * 1 & 3 Fixed terminals, 2 Variable, 4 Center terminal



Servo Mount

Electrical Specifications

| | |
|----------------------------------|-----------------------------------|
| Standard Resistance Values | 1K, 5K & 10 KΩ, Others on request |
| Resistance Tolerance | |
| Standard | ±25% |
| Special | ±15% |
| Resolution | Essentially Infinite |
| Rotational Life Expectancy | 1 Lakh Shaft Revolutions |
| Temp. Coefficient of Resistance | ±500 ppm/°C |
| Maximum Wiper Current | 1 mA |
| Effective Electrical Angle | (1) 340° (2) 100° (3) 60° |
| Dielectric Strength at Sea Level | Min. 1000VAC for 1 minute |
| Temperature Range | 0° to 70°C |
| Weight | 15 gms |



Three Terminals

Mechanical Specifications

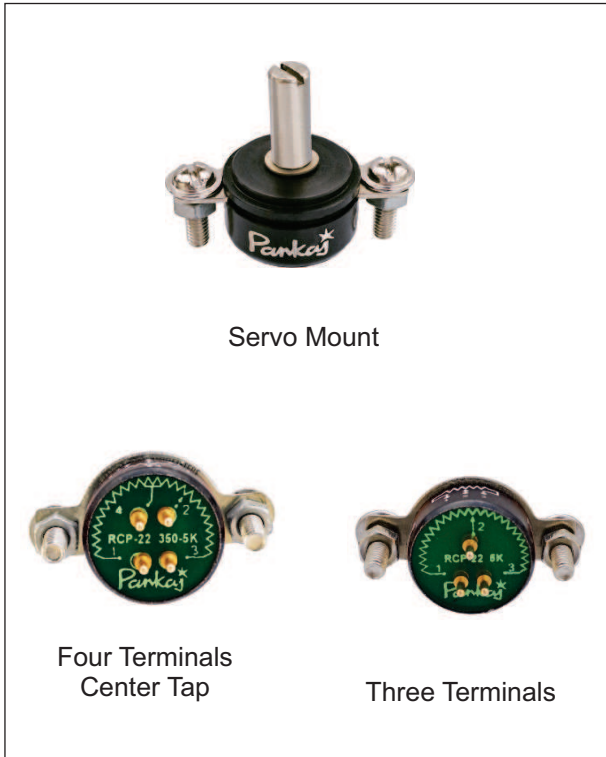
| | |
|------------------------------|-----------------|
| Housing Diameter & Height | 22 mm x 12 mm |
| Shaft Diameter & Length | 6.35 mm x 15 mm |
| Bush Mounting | 3/8 x 32 TPI |
| Pilot Diameter | 10 mm x 1.5 mm |
| Mechanical Angle of Rotation | 360° |



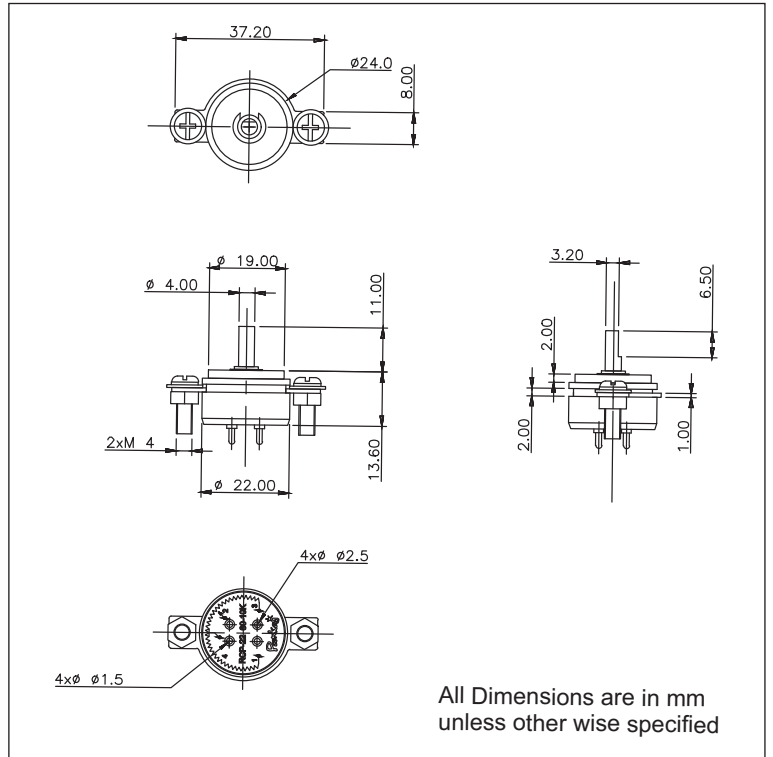
Four Terminals
Center Tap

Rotary Conductive Plastic Potentiometer Model: RCP-22 -S

Product Image

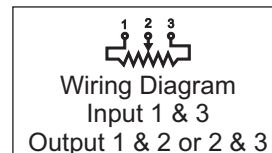


Dimensional Diagram



Applications

- ◆ Drives, Automation
- ◆ Rotary sensing
- ◆ Joystick
- ◆ Feedback
- ◆ Tension Control
- ◆ Valves Control & many more.



Supply Voltage as per rated Wattage
Maximum 24 VDC

Ordering Information

Example: RCP-22-S, 5K

| Model No. | Resistance Value in ohms |
|-----------|--------------------------|
| RCP-22-S | 1K, 5K, 10K |

Manufacturers & Exporters

PANKAJ POTENTIOMETERS PVT. LTD.

MUMBAI-INDIA

URL: www.pankaj.com Email : pankaj.potentiometers@gmail.com

Note: We reserve the right to make any kind of design, specifications or functional modification at any moment without prior notice