



Pankaj^{*}



MAKE IN INDIA



Rotary Conductive Plastic Servo Potentiometers

Model: RCP-35-AG



Conductive Plastic Servo Potentiometer from PANKAJ offers long rotational life, stable output in wide temperature range, high moisture environment, with infinite resolution for manual or mechanized application in variety of fields

Features

- ♦ Infinite Resolution, Low CRV
- ♦ Stainless Steel Shaft
- ♦ Gold Plated Wiper & PCB
- ♦ Relimate Connector PCB
- ♦ Double Ball Bearings
- ♦ Long Rotational Life
- ♦ Black Aluminium Anodized Housing
- ♦ Sturdy Construction

Electrical Specifications

Standard Resistance Values	1K, 5K & 10 KΩ, Others on request
Resistance Tolerance	
Standard	±25%
Special	±15%
Resolution	Essentially Infinite
Rotational Life Expectancy	10 Lakh Shaft Revolutions
Temp. Coefficient of Resistance	±500 ppm/°C
Maximum Wiper Current	1 mA
Effective Electrical Angle	355°
Dielectric Strength at Sea Level	Min. 1000VAC for 1 minute
Temperature Range	0° to 70°C
Weight	60 gms



Mounting 2 M3
at 180 degrees
PCD 30 mm



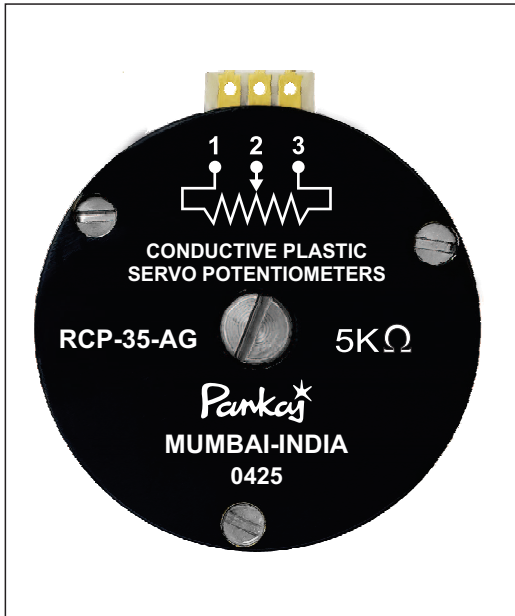
Mounting 3 M3
at 120 degrees
PCD 30 mm

Mechanical Specifications

Housing Diameter	36.50mm
Housing Height	25.50 mm
Shaft Diameter	6 mm, 5 mm dia groove in the centre
Shaft Length	18 mm
Servo Mounting	Three M3 screws 120 degrees at 30 mm PCD
	Two M3 screws 180 degrees at 30 mm PCD
Pilot Diameter	20 mm x 1.5 mm
Mechanical Angle of Rotation	360 degrees

Rotary Conductive Plastic Servo Potentiometer Model: RCP-35-AG

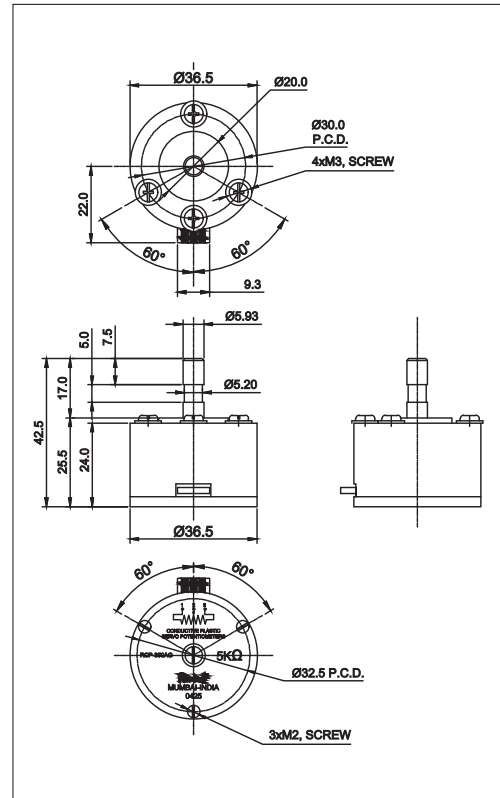
Product Image



Applications

- ◆ Drives, Automation
- ◆ Rotary sensing
- ◆ Feedback
- ◆ Tension Control
- ◆ Valves Control & many more.

Dimensional Diagram

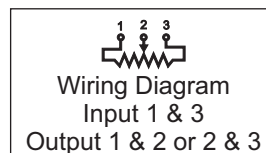


All Dimensions are in mm unless other wise specified

Ordering Information

Example: RCP-35-AG, 1K

Model No.	Resistance Value in ohms
RCP-35-AG	1K, 5K, 10K



Supply Voltage as per rated Wattage
Maximum 24 VDC

Manufacturers & Exporters

PANKAJ POTENTIOMETERS PVT. LTD.

MUMBAI-INDIA

URL: www.pankaj.com Email : pankaj.potentiometers@gmail.com

Note: We reserve the right to make any kind of design, specifications or functional modification at any moment without prior notice