

Pankaj*



MAKE IN INDIA



Rotary Conductive Plastic Servo Potentiometer Model: RCP-50-A

Conductive Plastic Servo Potentiometer from PANKAJ offers long rotational life, stable output in wide temperature range, high moisture environment, with infinite resolution for manual or mechanized application in variety of fields.

Spring Hard Stainless Steel C Clamps for Mounting

Features

- ◆ Infinite Resolution, Low CRV
- ◆ Gold Plated PCB
- ◆ Precious Metal Multi Wire Wiper Contact
- ◆ Black Anodized Aluminum Housing
- ◆ Stainless Steel Shaft
- ◆ Relimate Connector PCB
- ◆ Long Rotational Life
- ◆ Double Ball Bearings

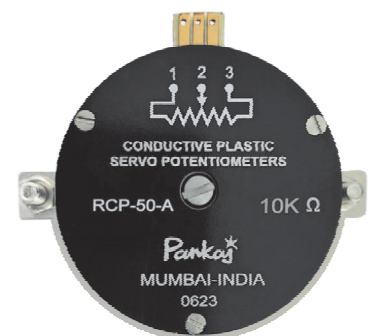
Electrical Specifications

Standard Resistance Values	1K, 5K & 10K Ω , Others on request
Resistance Tolerance	
Standard	$\pm 25\%$
Special	$\pm 15\%$
Power Rating	3 Watt @ 40°C
Resolution	Essentially Infinite
Rotational Life Expectancy	10 Lakh Shaft Revolutions
Temp. Coefficient of Resistance	± 500 ppm/°C
Maximum Wiper Current	1 mA
Effective Electrical Angle	355°
Dielectric Strength at Sea Level	Min. 1000VAC for 1 minute
Temperature Range	0° to 70°C



Mechanical Specifications

Housing Diameter	50 mm
Housing Height	24.00 mm
Shaft Diameter	6 mm
Shaft Length	15 mm
Servo Mounting	Three M3 screws @ 32 mm PCD
Pilot Diameter	19 mm x 1.5 mm
Mechanical Angle of Rotation	360°

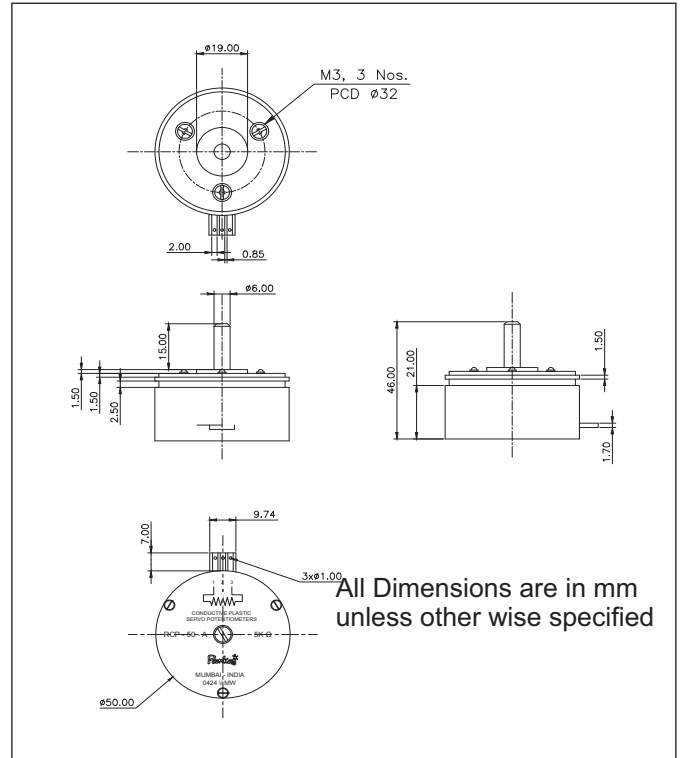


Rotary Conductive Plastic Servo Potentiometer Model: RCP-50-A

Product Image



Dimensional Diagram



Applications

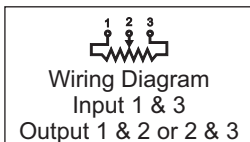
- ◆ Automation
- ◆ Rotary sensing
- ◆ Dancer POT
- ◆ Feedback
- ◆ Tension Control
- ◆ Valves Control & many more.

Ordering Information

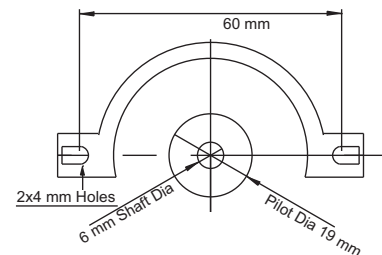
Model No.	Resistance Value in ohms
RCP-50-A	1K, 5K, 10K

Example: RCP-50-A, 1K

Spring Hard
Stainless Steel
C Clamp



Supply Voltage as per rated Wattage
Maximum 24 VDC



Manufacturers & Exporters

PANKAJ POTENTIOMETERS PVT. LTD.

MUMBAI-INDIA

URL: www.pankaj.com Email : pankaj.potentiometers@gmail.com

Note: We reserve the right to make any kind of design, specifications or functional modification at any moment without prior notice