

# Pankaj<sup>★</sup>



MAKE IN INDIA



## Hollow Shaft Conductive Plastic Servo Potentiometer Model: HSCP-50-A

Hollow Shaft Conductive Plastic Servo Potentiometer from PANKAJ offers long rotational life, stable output in wide temperature range, high moisture environment, with infinite resolution for manual or mechanized application in variety of fields.

Spring Hard Stainless Steel C Clamps for Mounting

### Features

- ◆ Infinite Resolution, Low CRV
- ◆ Gold Plated PCB
- ◆ Precious Metal Multi Wire Wiper Contact
- ◆ Black Anodized Aluminum Housing
- ◆ Stainless Steel Hollow Sleeve
- ◆ Relimate Connector PCB
- ◆ Long Rotational Life
- ◆ Double Ball Bearings

### Electrical Specifications

Standard Resistance Values	1K, 5K & 10K $\Omega$ , Others on request
Resistance Tolerance	
Standard	$\pm 25\%$
Special	$\pm 15\%$
Power Rating	3 Watt @ 40°C
Resolution	Essentially Infinite
Rotational Life Expectancy	10 Lakh Shaft Revolutions
Temp. Coefficient of Resistance	$\pm 500$ ppm/°C
Maximum Wiper Current	1 mA
Effective Electrical Angle	355°
Dielectric Strength at Sea Level	Min. 1000VAC for 1 minute
Temperature Range	0° to 70°C



### Mechanical Specifications

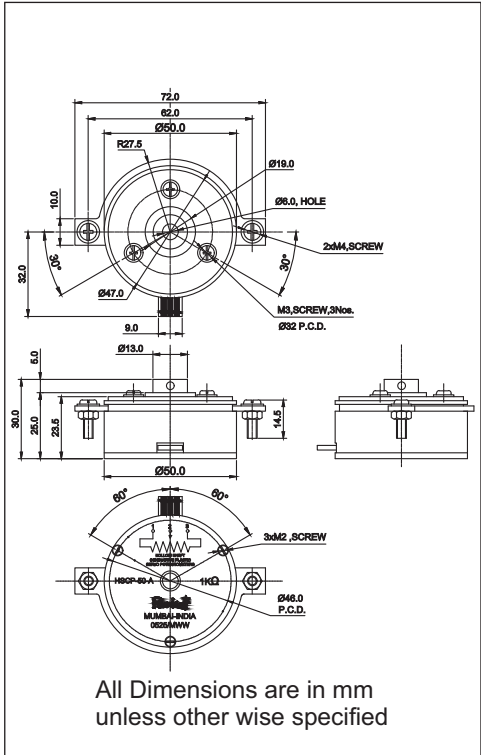
Housing Diameter	50 mm
Housing Height	24.00 mm
Hollow Shaft hole	6 mm
Servo Mounting	Three M3 screws @ 32 mm PCD
Pilot Diameter	19 mm x 1.5 mm
Mechanical Angle of Rotation	360°

# Hollow Shaft Conductive Plastic Servo Potentiometer Model: HSCP-50-A

Product Image



Dimensional Diagram



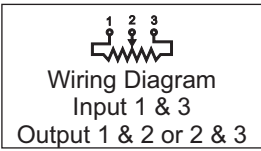
Applications

- ◆ Automation
- ◆ Rotary sensing
- ◆ Dancer POT
- ◆ Feedback
- ◆ Tension Control
- ◆ Valves Control & many more.

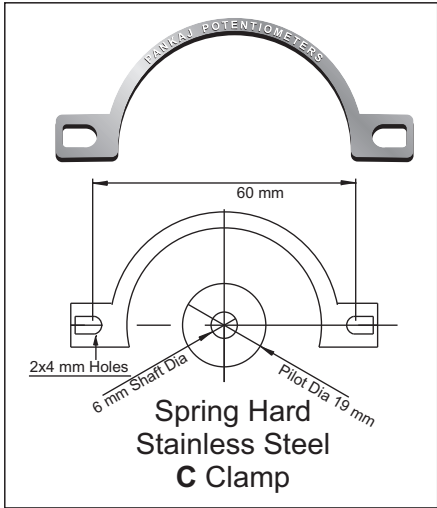
Ordering Information

Model No.	Resistance Value in ohms
HSCP-50-A	1K, 5K, 10K

Example: HSCP-50-A, 1K



Supply Voltage as per rated Wattage  
Maximum 24 VDC



**Manufacturers & Exporters**

# PANKAJ POTENTIOMETERS PVT. LTD.

**MUMBAI-INDIA**

URL: [www.pankaj.com](http://www.pankaj.com)    Email : [pankaj.potentiometers@gmail.com](mailto:pankaj.potentiometers@gmail.com)

Note: We reserve the right to make any kind of design, specifications or functional modification at any moment without prior notice