

Pankaj



MAKE IN INDIA



Square Conductive Plastic Potentiometer Model: SQCP-55

The latest product in Conductive plastic range from PANKAJ is best suited for Joy Stick, Industrial controls & multi ganged mechanical feedback. 6mm square hollow shaft allows many potentiometers to be operated by single actuator. Modular type design saves lot of space.

Features

- ◆ 55mm Square Glass Filled Engineering Plastic Body
- ◆ 11mm thick
- ◆ 6mm Square Hollow Rotor
- ◆ Multi Wire Precious Metal Wiper Contact
- ◆ Gold Plated terminals
- ◆ Mounting on Two or Four M3 Screws

Optional Features

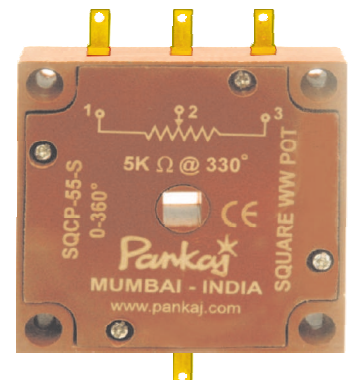
- ◆ Tapping at 90°, 180°, 270°
- ◆ Different Electrical Angle of Rotation
- ◆ Dead band as required
- ◆ 330° Mechanical Angle of Rotation of Rotor
- ◆ Ganged upto 'n' number of piece with 6 mm square Rod.

Electrical Specifications

Standard Resistance Values	1K, 5K & 10 K Ω , Others on request
Resistance Tolerance	$\pm 25\%$
Wiper Current (Recommended)	$< 0.1 \mu A$
Power Rating	0.5 W at 40°C
Maximum Supply Voltage	50 V with 5K and 70 V with 10K
Electrical Angle of Rotation	355°
Insulation Resistance	2000 M Ω @ 500 VDC
H. V. Test	No damage for 1 min at 1500 VAC
Operating Temperature Range	0 - 70°C
IP Protection	IP-40

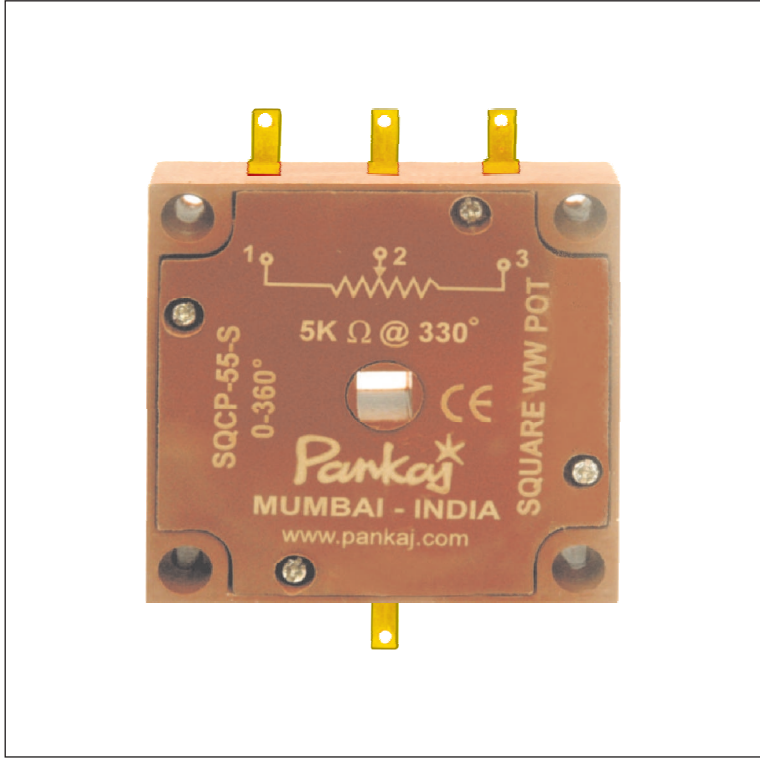
Mechanical Specifications

Dimensions	55 mm x 55 mm x 11 mm
Life Expectancy	5,00,000 Cycles
Mechanical Angle of Rotation	360°
Maximum Angular Shaft Speed	50 RPM
Mounting Method	3 mm, 4 holes at corner

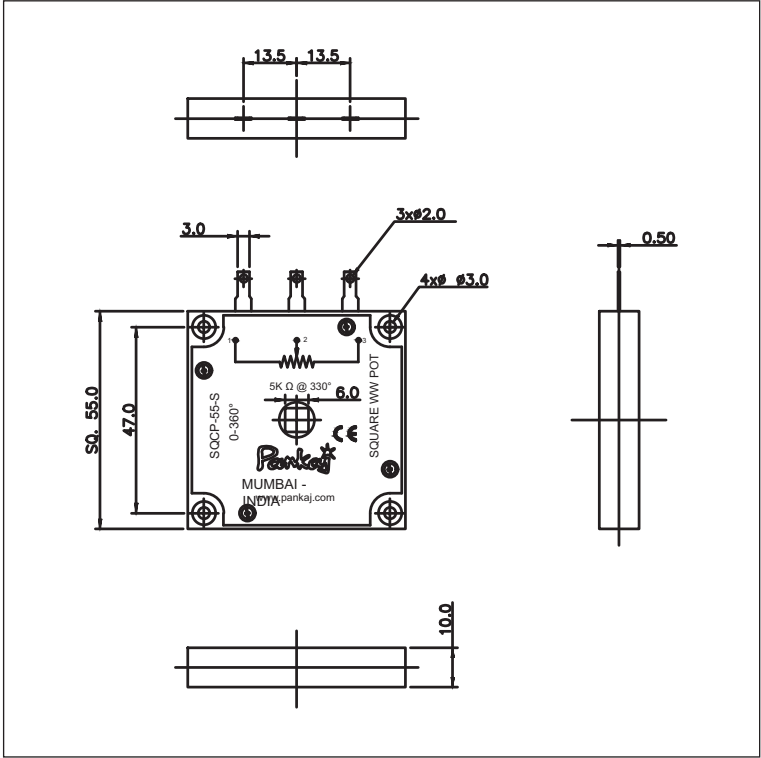


**Square Conductive Plastic Potentiometer
Model: SQCP-55**

Product Image



Dimensional Diagram



All Dimensions are in mm unless other wise specified

Applications

- ◆ Automation
- ◆ Industrial controls
- ◆ Rotary sensing
- ◆ Joy Stick & many more.
- ◆ Feedback
- ◆ Multi ganged mechanical feedback

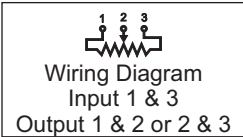
Other Options

- ◆ Center Tap
- ◆ Other Electrical Angle of Rotations

Ordering Information

Example: SQCP-55, 1K

Model No.	Resistance Value in ohms
SQCP-55	1K, 5K, 10K



Supply Voltage as per rated Wattage
Maximum 24 VDC

Manufacturers & Exporters

**PANKAJ POTENTIOMETERS PVT. LTD.
MUMBAI-INDIA**

URL: www.pankaj.com Email : pankaj.potentiometers@gmail.com

Note: We reserve the right to make any kind of design, specifications or functional modification at any moment without prior notice